



MADE IN ITALY

50
YEARS
1964 • 2014

OMPAR srl
via A. Rossi, 26
36057 Arcugnano (VI) - ITALY
T +39 0444 240545
F +39 0444 240521
ompar@ompar.com
ompar.com



RA 961 A

DIAMOND CUTTING MACHINE

Diamond cutting machine mod. RA 961 A with two controlled axes, suitable to carry out various diamond cutting and grooving on wedding-rings and bangles.

MACHINABLE PRODUCTS

Wedding-rings / Bangles

Number of working axes:..... 3

DIVIDER

Speed from 0 to 1000 rpm

Tilt adjustment..... From -45° to +45°

Transversal adjustment from -50 to +50 mm

Longitudinal adjustment..... from -50 to +50 mm

VERTICAL HEAD

Speed from 0 to 12000 rpm

HORIZONTAL HEAD

Speed from 0 to 5000 rpm

Tool holder diameter..... 155 mm

INSTALLATION DATA

Wattage 3,5 kW

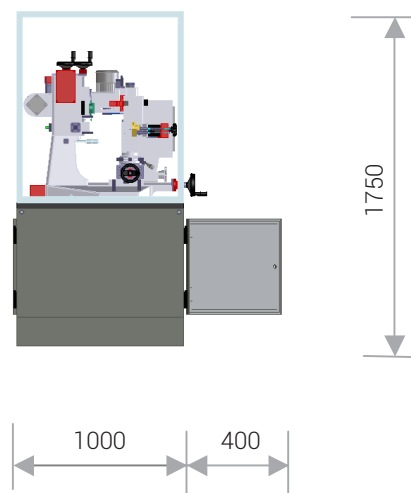
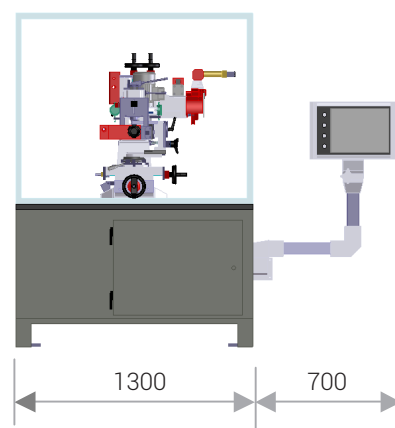
Power supply..... 400 V / 50-60 Hz / 3~

Pneumatic supply..... 6 bar

Weight..... 550 kg

DIAMANTATRICE PER FEDI E CERCHI

Diamantatrice mod. RA 961 A a due assi controllati, adatta per eseguire diamantature varie e canali su fedi e cerchi.



RA 961 A