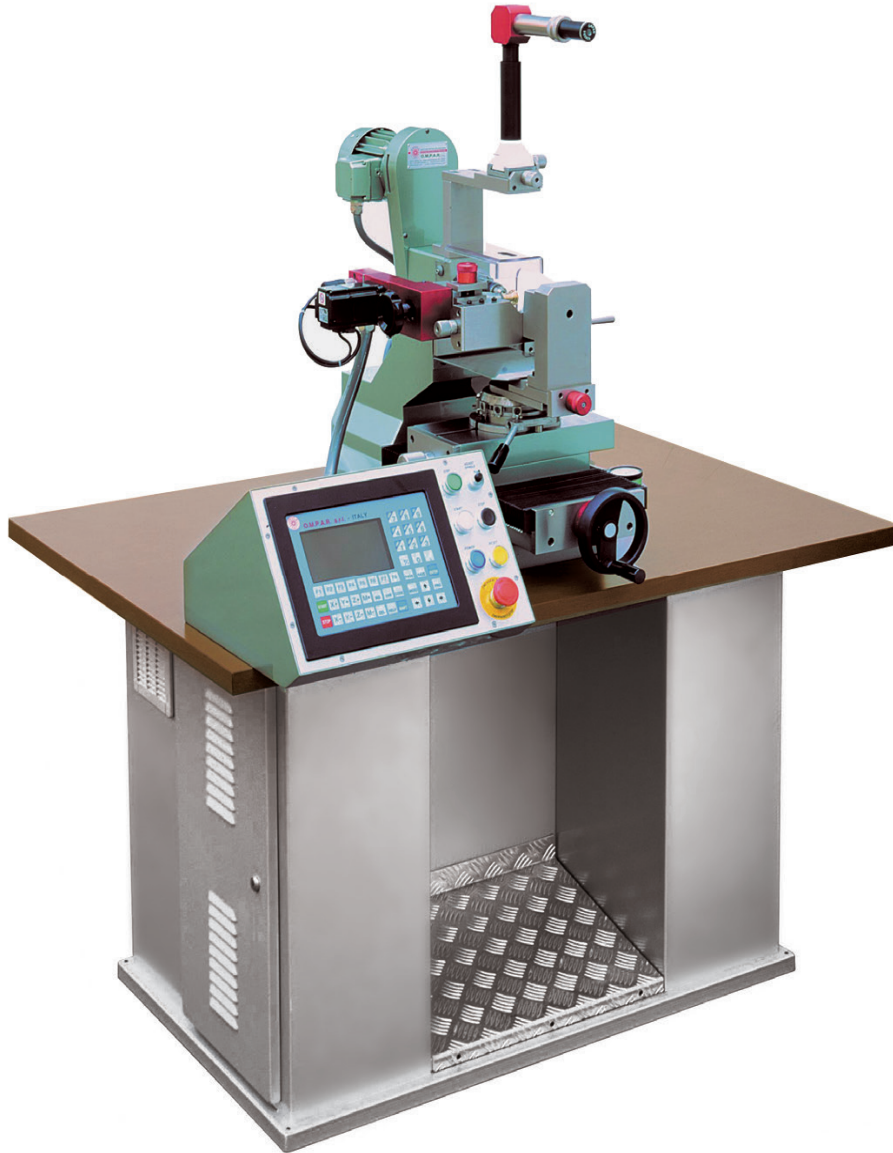




50  
YEARS  
1964 • 2014

OMP PAR srl  
via A. Rossi, 26  
36057 Arcugnano (VI) - ITALY  
T +39 0444 240545  
F +39 0444 240521  
ompar@ompar.com  
ompar.com



SIM 1

## SEMI-AUTOMATIC DRILLING MACHINE FOR RINGS AND BANGLES

Semiautomatic drilling machine for rings and bangles mod. SIM 1 with one controlled axis, suitable to drill and create diamond site on wedding-rings and bangles.

### MACHINABLE PRODUCTS

Wedding-rings / Bangles

Number of working axes..... 1

### DIVIDER

Tilt adjustment..... from -45° to +45°

Transversal adjustment..... from -100 to +100 mm

Longitudinal adjustment..... from -50 to +50 mm

Vertical adjustment..... from -10 to +10 mm

### DRILL SPINDLE

Speed..... from 0 to 14000 rpm

Tool pincer diameter..... 6 mm

### INSTALLATION DATA

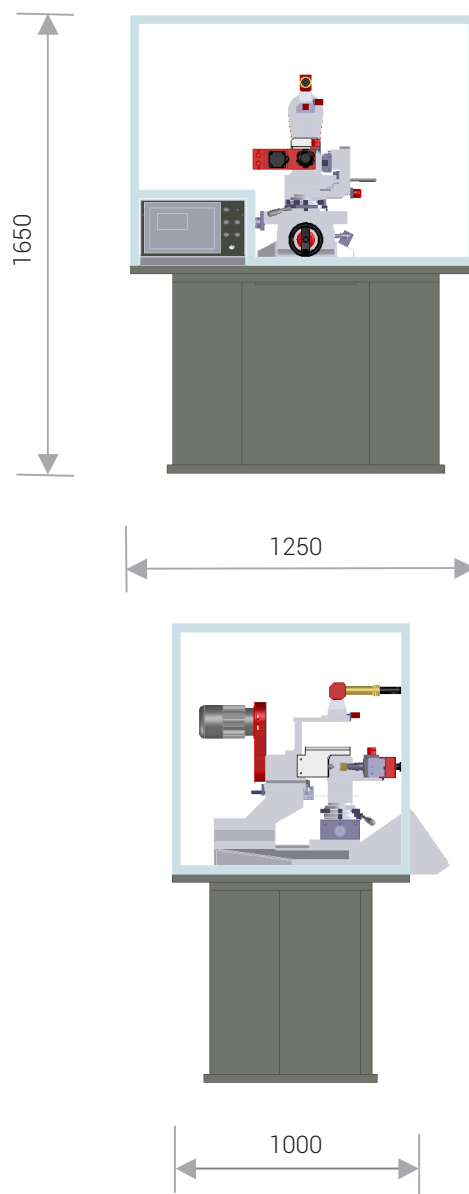
Wattage..... 2,5 kW

Power supply..... 230 V / 50-60 Hz / 1~

Weight..... 340 kg

## FORATRICE SEMI-AUTOMATICA PER FEDI E CERCHI

Foratrice semi-automatica per fedi e cerchi mod. SIM 1 ad un asse controllato, adatta per forare e creare castoni per diamanti su fedi e cerchi.



SIM 1